




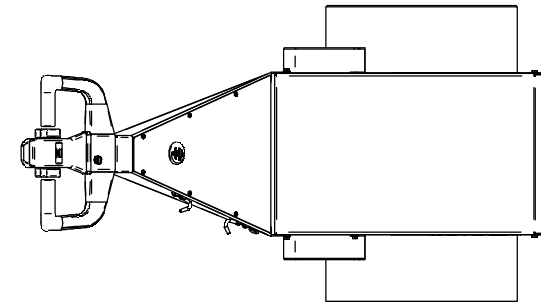
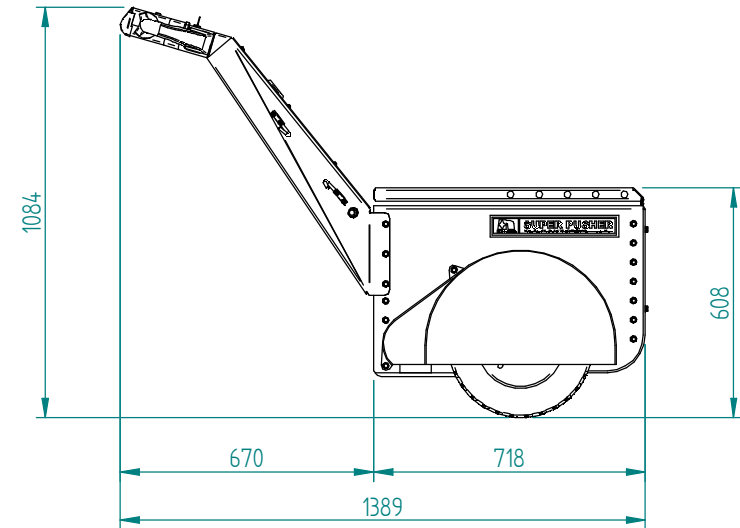
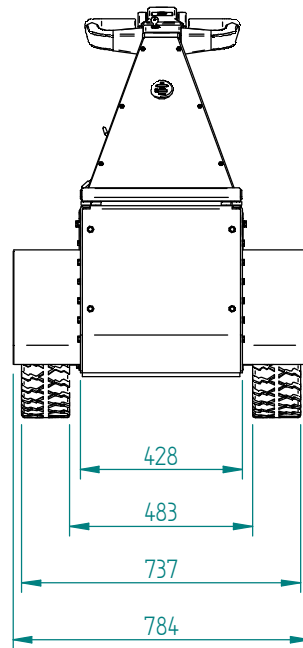
UK Registered design No's: 3017473/4/5/6/7/8
 UK and EU Patent No: EP 1765659 B1 and DE 602005010090.6
 Australian Patent No. AU 2005256869 B2 - USA Patent No. 7,918,294 B1

THIS DRAWING IS THE PROPRIETARY PROPERTY OF NU-STAR MATERIAL HANDLING LTD AND MUST NOT BE USED EXCEPT IN CONNECTION WITH OUR WORK NOR IN ANY MANNER DISCLOSED TO ANY THIRD PARTY WITHOUT NU-STAR MATERIAL HANDLING LTD'S WRITTEN CONSENT ALL RIGHTS OF DESIGN AND INVENTION ARE RESERVED.

© Nu-Star Material Handling Ltd 2002-2014

Unless otherwise specified tolerances are : .XX +/- .020 .XXX +/- .010 Angles +/- 1 deg	Finish NA	Date 27/03/2014
	Material NA	Scale NA

	Sheet 1 of 6	Title Standard attachments
	Issue number 1	Project Super Power Pusher
	Size A4	Drawing No. SPSA-070214-01




UK Registered design No's: 3017473/4/5/6/7/8
 UK and EU Patent No: EP 1765659 B1 and DE 602005010090.6
 Australian Patent No. AU 2005256869 B2 - USA Patent No. 7,918,294 B1

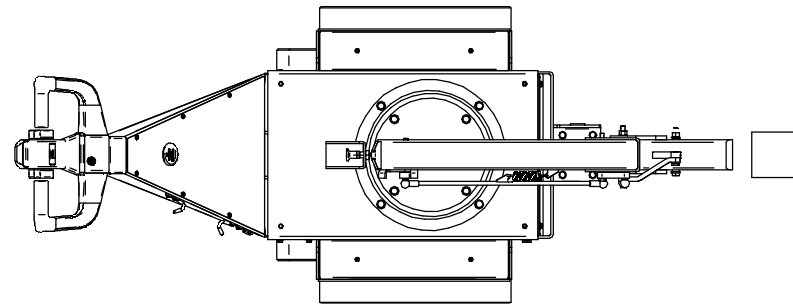
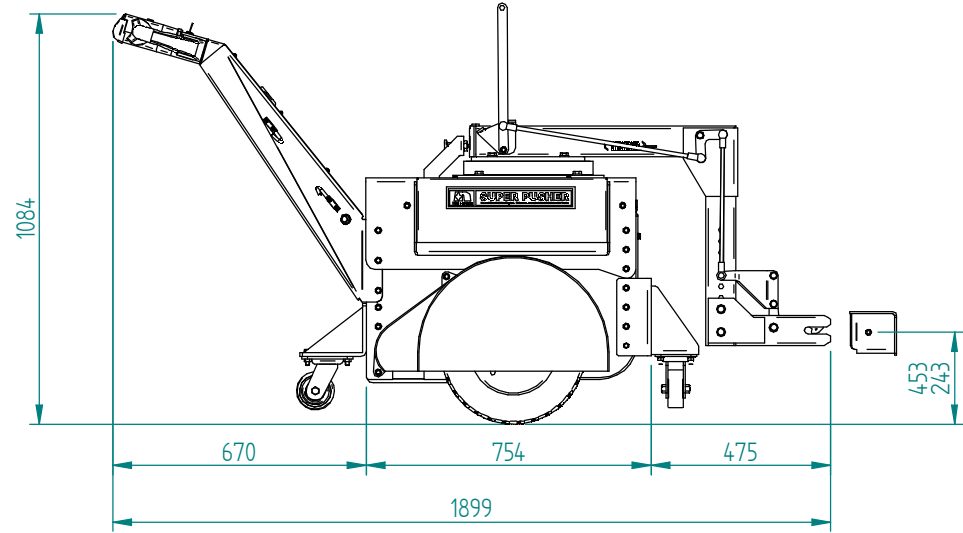
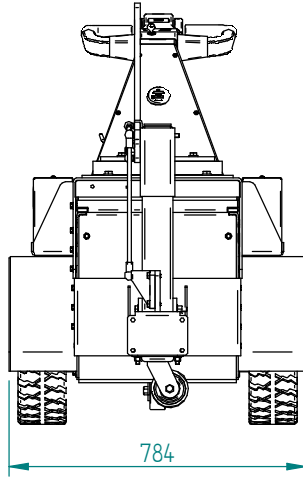
THIS DRAWING IS THE PROPRIETARY PROPERTY OF NU-STAR MATERIAL HANDLING LTD AND MUST NOT BE USED EXCEPT IN CONNECTION WITH OUR WORK NOR IN ANY MANNER DISCLOSED TO ANY THIRD PARTY WITHOUT NU-STAR MATERIAL HANDLING LTD'S WRITTEN CONSENT ALL RIGHTS OF DESIGN AND INVENTION ARE RESERVED.

© Nu-Star Material Handling Ltd 2002-2014

Unless otherwise specified
 tolerances are :
 .XX +/- .020
 .XXX +/- .010
 Angles +/- 1 deg

Finish NA	Date 27/03/2014
Material NA	Scale NA

 www.nu-starmhl.com	Sheet 2 of 6	Title Standard attachments
	Issue number 1	Project Super Power Pusher
	Size A4	Drawing No. SPSA-070214-01




UK Registered design No's: 3017473/4/5/6/7/8
 UK and EU Patent No: EP 1765659 B1 and DE 602005010090.6
 Australian Patent No. AU 2005256869 B2 - USA Patent No. 7,918,294 B1

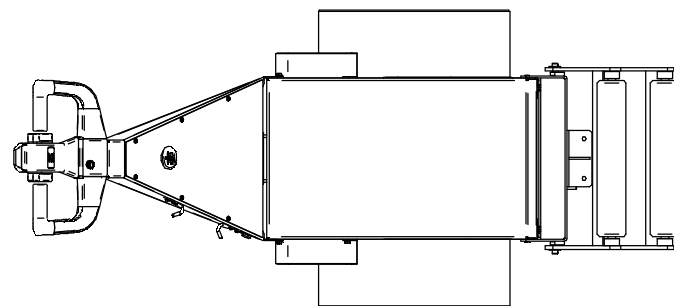
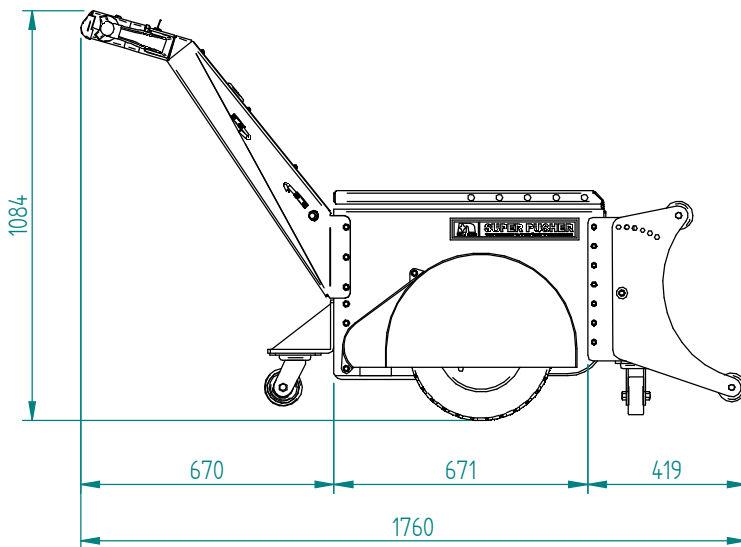
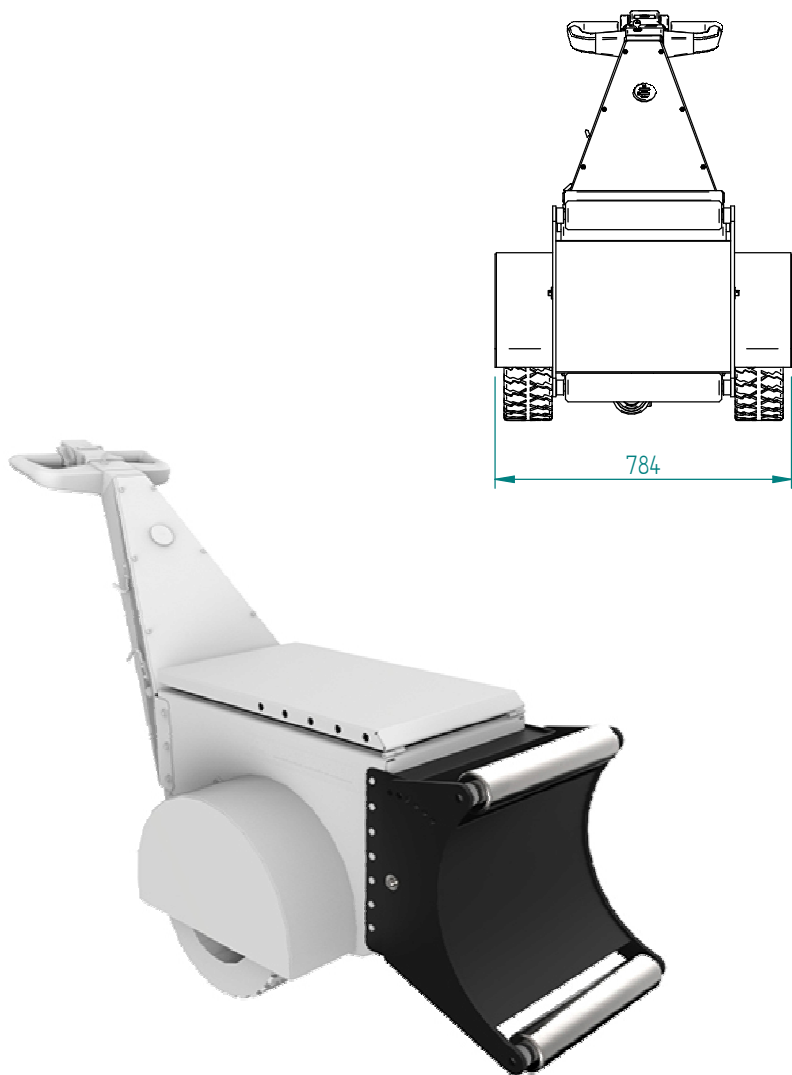
THIS DRAWING IS THE PROPRIETARY PROPERTY OF NU-STAR MATERIAL HANDLING LTD AND MUST NOT BE USED EXCEPT IN CONNECTION WITH OUR WORK NOR IN ANY MANNER DISCLOSED TO ANY THIRD PARTY WITHOUT NU-STAR MATERIAL HANDLING LTD'S WRITTEN CONSENT ALL RIGHTS OF DESIGN AND INVENTION ARE RESERVED.

© Nu-Star Material Handling Ltd 2002-2014

Unless otherwise specified
 tolerances are :
 .XX +/- .020
 .XXX +/- .010
 Angles +/- 1 deg

Finish NA	Date 27/03/2014
Material NA	Scale NA

 www.nu-starmhl.com	Sheet 3 of 6	Title Standard attachments
	Issue number 1	Project Super Power Pusher
	Size A4	Drawing No. SPSA-070214-01




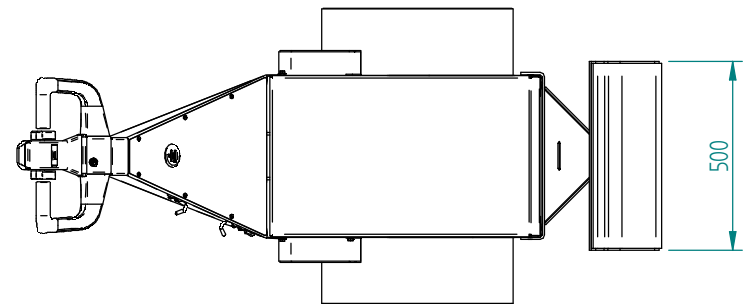
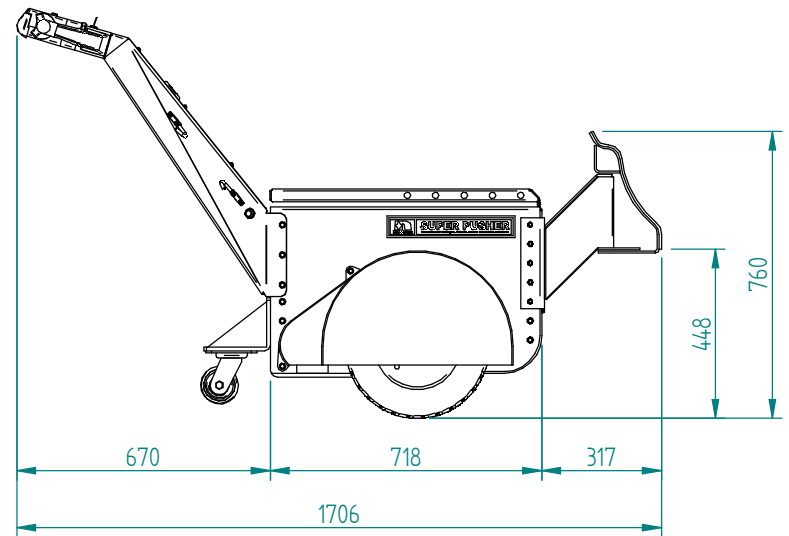
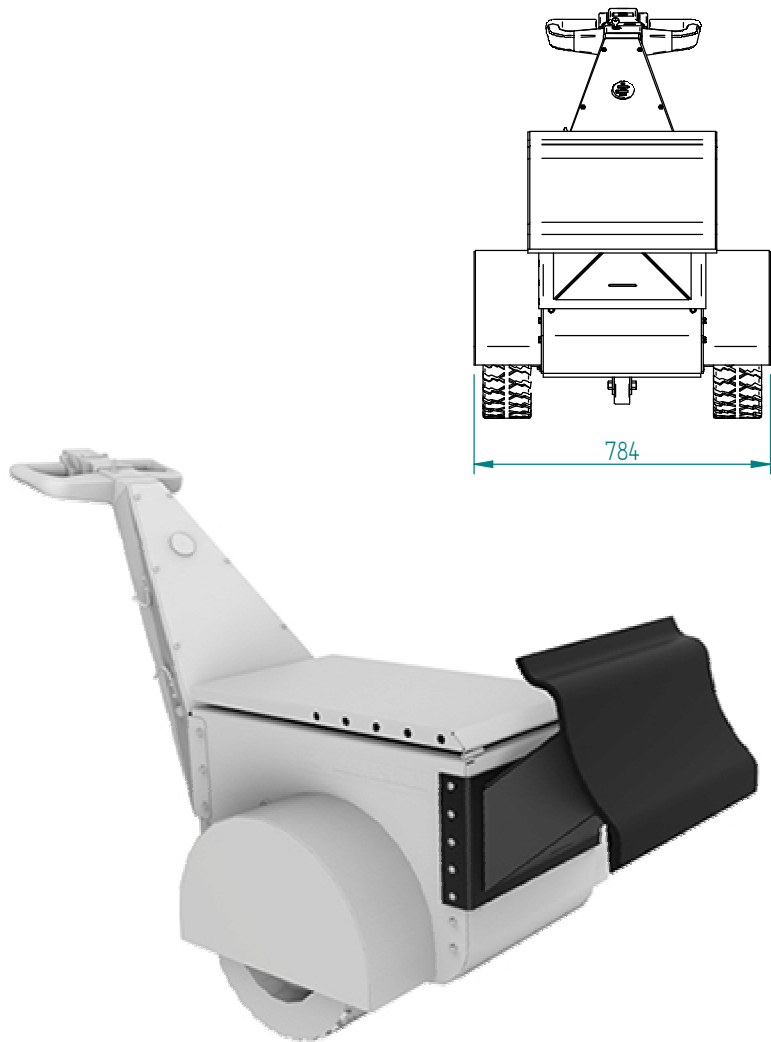
UK Registered design No's: 3017473/4/5/6/7/8
 UK and EU Patent No: EP 1765659 B1 and DE 602005010090.6
 Australian Patent No. AU 2005256869 B2 - USA Patent No. 7,918,294 B1

THIS DRAWING IS THE PROPRIETARY PROPERTY OF NU-STAR MATERIAL HANDLING LTD AND MUST NOT BE USED EXCEPT IN CONNECTION WITH OUR WORK NOR IN ANY MANNER DISCLOSED TO ANY THIRD PARTY WITHOUT NU-STAR MATERIAL HANDLING LTD'S WRITTEN CONSENT ALL RIGHTS OF DESIGN AND INVENTION ARE RESERVED.

© Nu-Star Material Handling Ltd 2002-2014

Unless otherwise specified tolerances are : .XX +/- .020 .XXX +/- .010 Angles +/- 1 deg	Finish NA	Date 27/03/2014
	Material NA	Scale NA

 www.nu-starmhl.com	Sheet 4 of 6	Title Standard attachments
	Issue number 1	Project Super Power Pusher
	Size A4	Drawing No. SPSA-070214-01




UK Registered design No's: 3017473/4/5/6/7/8
 UK and EU Patent No: EP 1765659 B1 and DE 602005010090.6
 Australian Patent No. AU 2005256869 B2 - USA Patent No. 7,918,294 B1

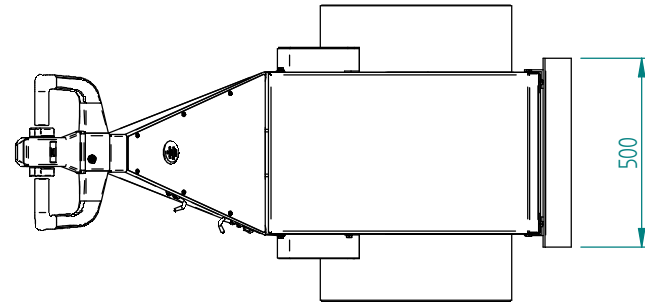
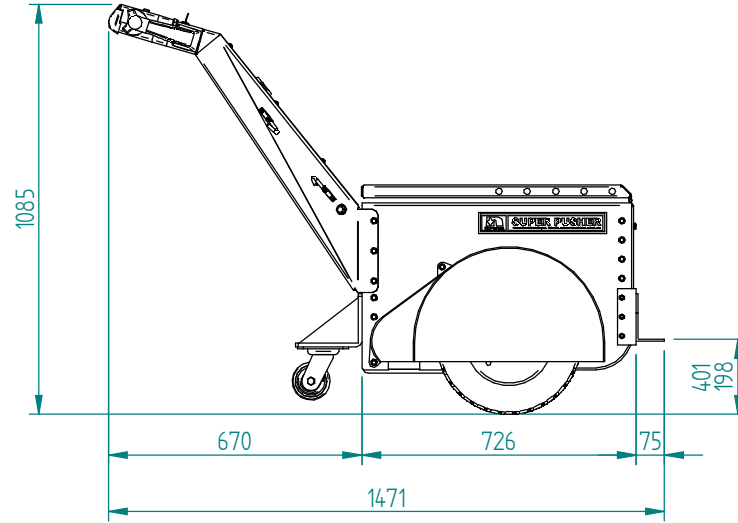
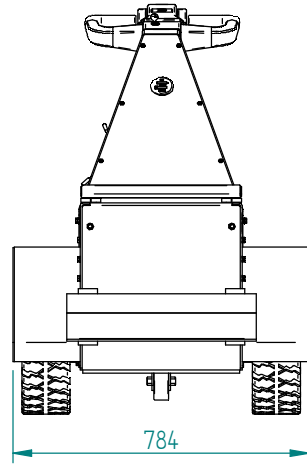
THIS DRAWING IS THE PROPRIETARY PROPERTY OF NU-STAR MATERIAL HANDLING LTD AND MUST NOT BE USED EXCEPT IN CONNECTION WITH OUR WORK NOR IN ANY MANNER DISCLOSED TO ANY THIRD PARTY WITHOUT NU-STAR MATERIAL HANDLING LTD'S WRITTEN CONSENT ALL RIGHTS OF DESIGN AND INVENTION ARE RESERVED.

© Nu-Star Material Handling Ltd 2002-2014

Unless otherwise specified tolerances are :
 .XX +/- .020
 .XXX +/- .010
 Angles +/- 1 deg

Finish NA	Date 27/03/2014
Material NA	Scale NA

 www.nu-starmhl.com	Sheet 5 of 6	Title Standard attachments
	Issue number 1	Project Super Power Pusher
	Size A4	Drawing No. SPSA-070214-01




UK Registered design No's: 3017473/4/5/6/7/8
 UK and EU Patent No: EP 1765659 B1 and DE 602005010090.6
 Australian Patent No. AU 2005256869 B2 - USA Patent No. 7,918,294 B1

THIS DRAWING IS THE PROPRIETARY PROPERTY OF NU-STAR MATERIAL HANDLING LTD AND MUST NOT BE USED EXCEPT IN CONNECTION WITH OUR WORK NOR IN ANY MANNER DISCLOSED TO ANY THIRD PARTY WITHOUT NU-STAR MATERIAL HANDLING LTD'S WRITTEN CONSENT ALL RIGHTS OF DESIGN AND INVENTION ARE RESERVED.

© Nu-Star Material Handling Ltd 2002-2014

Unless otherwise specified
 tolerances are :
 .XX +/- .020
 .XXX +/- .010
 Angles +/- 1 deg

Finish NA	Date 27/03/2014
Material NA	Scale NA

	Sheet 6 of 6	Title Standard attachments
	Issue number 1	Project Super Power Pusher
	Size A4	Drawing No. SPSA-070214-01